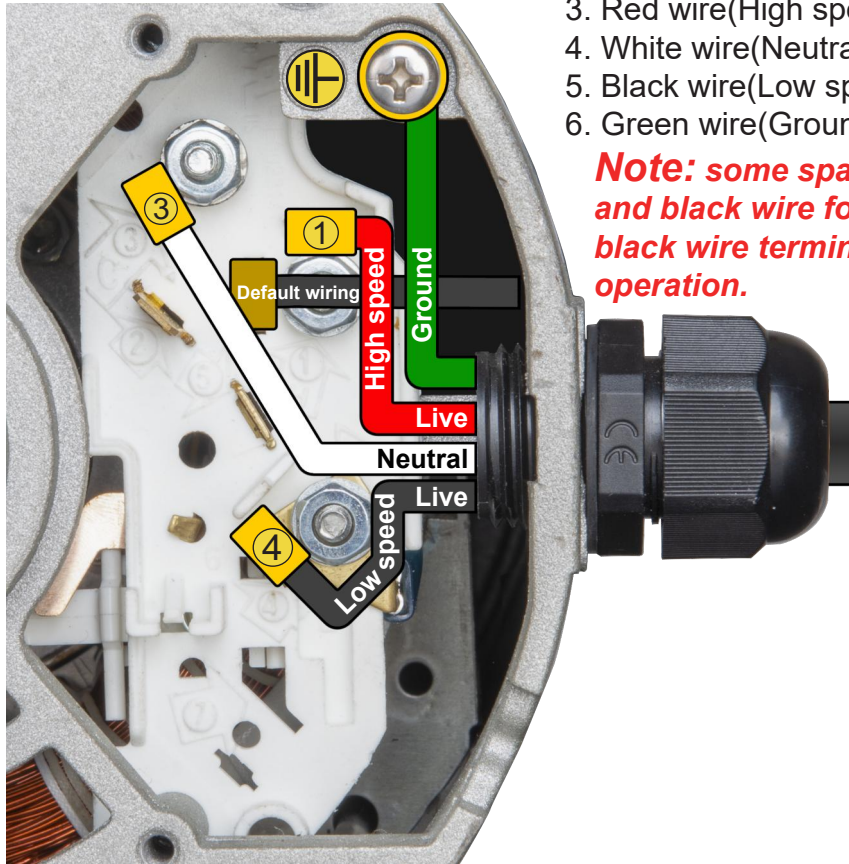


56WUA-Series Wiring Diagram

Two Speed Set Up



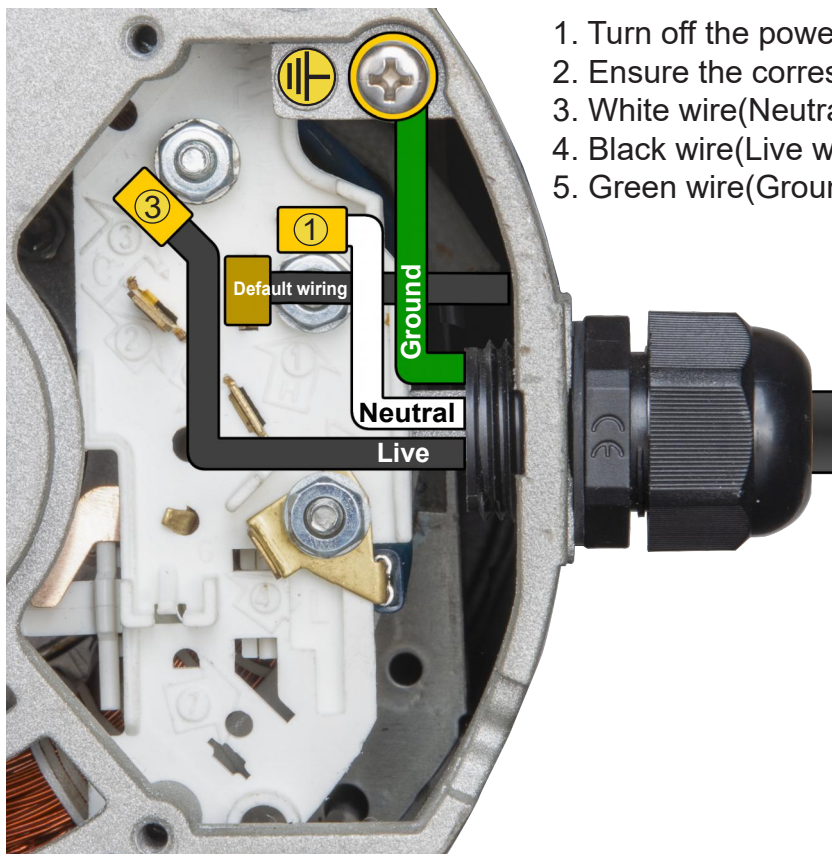
1. Turn off the power first.
2. Ensure the corresponding voltage of the circuit (220-240V/60HZ).
3. Red wire(High speed): connect to terminal ①.
4. White wire(Neutral wire): connect to terminal ③.
5. Black wire(Low speed): connect to terminal ④.
6. Green wire(Ground wire): connect to terminal Ground ⊕.

Note: some spa factories might set red wire for low speed and black wire for high speed. In this case, switch red and black wire terminal positions for correct high & low speed operation.

220V-240/60HZ models:

**56WUA200-II, 56WUA300-II,
56WUA300-2/6, 56WUA350-II,
56WUA400-II, 56WUA400-II(NF),
56WUA400a-II, 56WUA400-2/6,
56WUA450-2/6, 56WUA500-II,
56WUA500a-II**

Single Speed Set Up



1. Turn off the power first.
2. Ensure the corresponding voltage of the circuit (220-240V/60HZ).
3. White wire(Neutral wire): connect to terminal ①.
4. Black wire(Live wire): connect to terminal ③.
5. Green wire(Ground wire): connect to terminal Ground ⊕.

220V-240/60HZ models:

**56WUA200-I, 56WUA300-I,
56WUA350-I, 56WUA400-I,
56WUA400-I(NF), 56WUA500-I**

Rotate the position of Wet-end

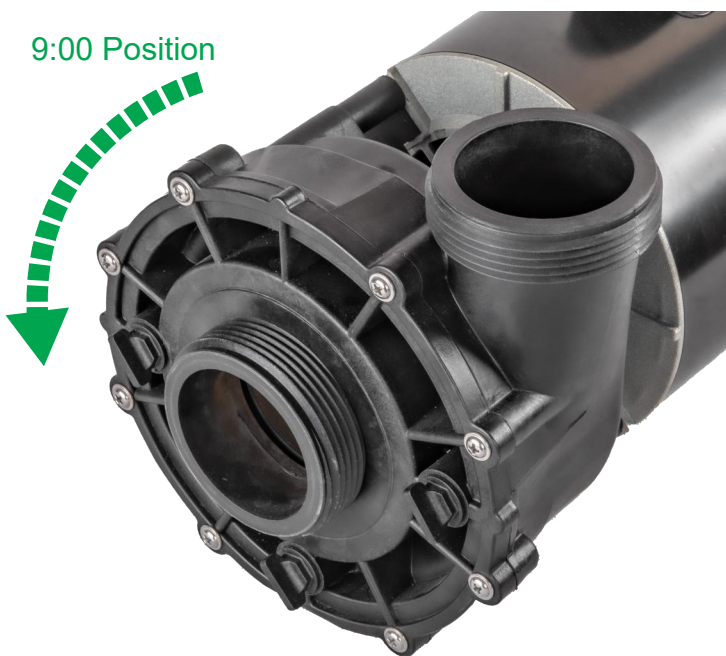
1. Turn off the power first.
2. Loosen 4 bolts at the end of motor (Pic 1) and pull those 4 bolts around one inch away from the motor.
3. Then, rotate carefully the wet-end to 3:00 (Pic 2) Or 9:00 position (Pic 3).
4. Push those 4 bolts back to match the screw holes at the wet-end. Then, tighten those 4 bolts into the wet-end (Pic 4).



Pic 1



Pic 2



Pic 3



Pic 4